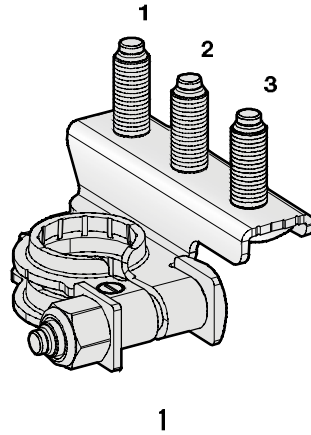


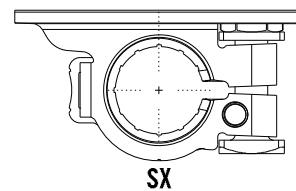
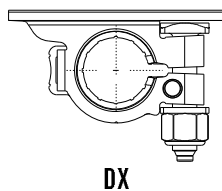
The image features a collection of white line-art illustrations of various battery terminals and connectors against a solid blue background. The components include: two threaded studs of different heights; a rectangular terminal block with two studs; a multi-pin connector with a protective cap; a circular terminal with a central nut; a cylindrical terminal with a hexagonal nut; and a multi-pin connector with a protective cap. The text 'BATTERY TERMINALS' is centered over the middle of the illustration.

# BATTERY TERMINALS

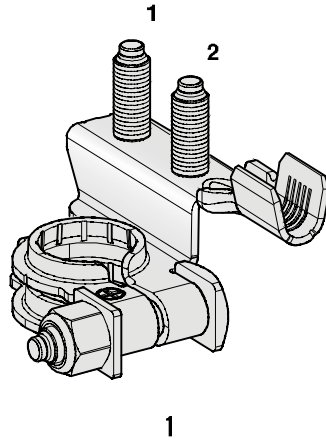
# DOUBLE RING



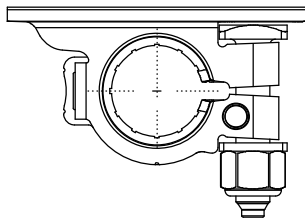
IMG	DESCRIPTION	POLARITY	SCREW 1	SCREW 2	SCREW 3	MATERIAL	MATERIAL THICKNESS mm	P/N BOX	M.O.Q.	P/N BULK	M.O.Q.
1	M686DX	+	M6	M8	M6	CuZn-Sn	1,5	1507701	10	1507700	200
	M686DX	-	M6	M8	M6	CuZn-Sn	1,5	1507704	10	1507705	250
	M686SX	+	M6	M8	M6	CuZn-Sn	1,5			1507720	250
	M666DX	+	M6	M6	M6	CuZn-Sn	1,5			1507703	200
	M666DX	-	M6	M6	M6	CuZn-Sn	1,5			1507707	220
	M666SX	+	M6	M6	M6	CuZn-Sn	1,5			1507708	220
	M666SX	-	M6	M6	M6	CuZn-Sn	1,5			1507736	200
	M668DX	+	M6	M6	M8	CuZn-Sn	1,5			1507710	180
	M080SX	+	/	M8	/	CuZn-Sn	1,5			1507760	250
	M606DX	+	M6	/	M6	CuZn-Sn	1,5			1507772	250
	M606SX	+	M6	/	M6	CuZn-Sn	1,5			1507771	250
	M868DX	+	M8	M6	M8	CuZn-Sn	1,5			1507790	200
	M868SX	+	M8	M6	M8	CuZn-Sn	1,5			1508001	180
	M806DX	+	M8	/	M6	CuZn-Sn	1,5			1507795	250



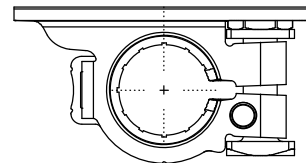
# DOUBLE RING



IMG	DESCRIPTION	POLARITY	SCREW 1	SCREW 2	WIRE SECTION mm <sup>2</sup>	MATERIAL	MATERIAL THICKNESS mm	P/N BULK	M.O.Q.
1	M66DX	+	M6	M6	10÷20	CuZn-Sn	1,3	1507800	200
	M06SX	+	/	M6	10÷20	CuZn-Sn	1,3	1507810	250
	M66DX	+	M6	M6	25÷40	CuZn-Sn	1,3	1507820	200
	M66DX	-	M6	M6	25÷40	CuZn-Sn	1,3	1507875	200
	M06SX	+	/	M6	25÷40	CuZn-Sn	1,3	1507830	200
	M66SX	-	M6	M6	25÷40	CuZn-Sn	1,3	1507885	200

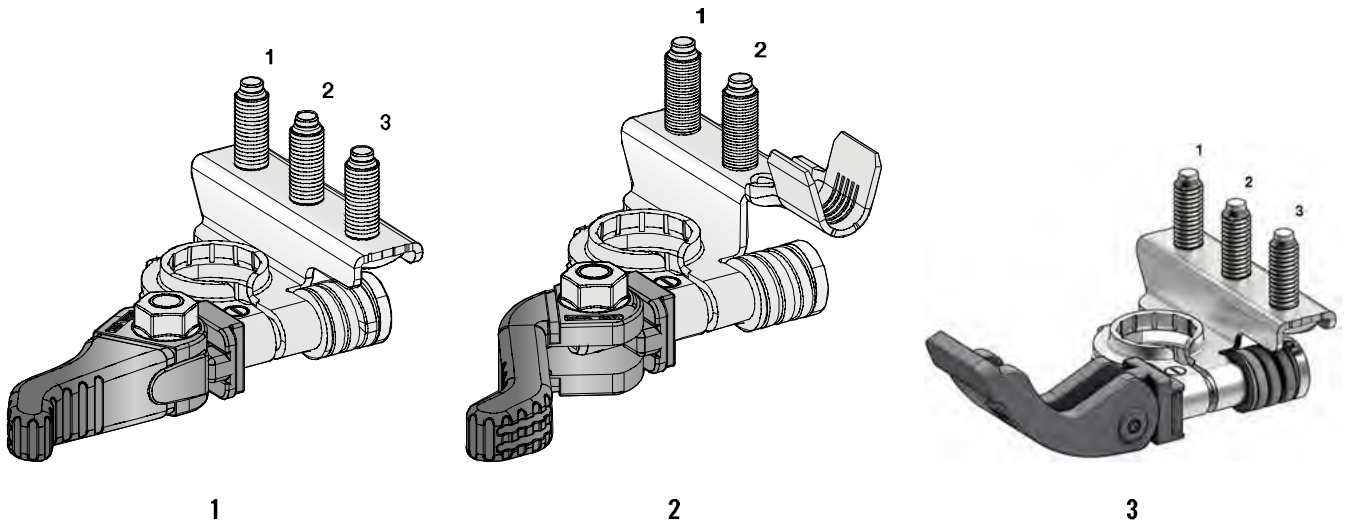


DX

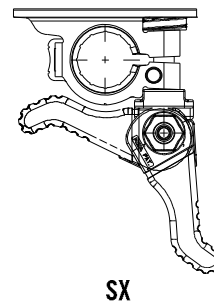
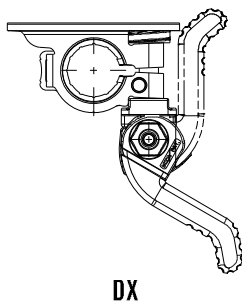


SX

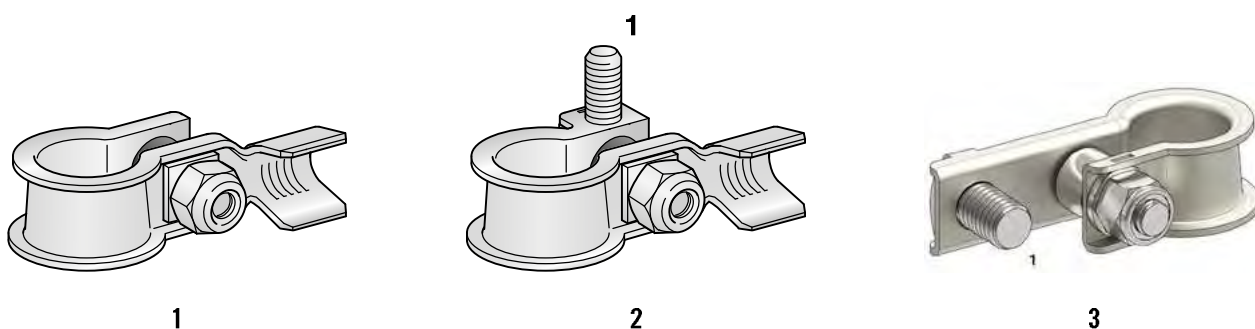
# QUICK LOCK



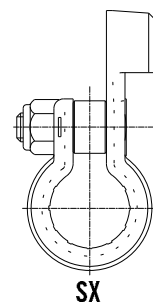
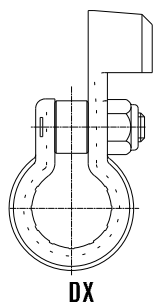
IMG.	DES.	POLARITY	SCREW 1	SCREW 2	SCREW 3	WIRE SECTION mm <sup>2</sup>	MATERIAL	MATERIAL THICKNESS mm	P/N BOX	M.O.Q.	P/N BULK	M.O.Q.
1	M666SX	-	M6	M6	M6		CuZn-Sn	1,5	1507904	1	1507905	130
	M666SX	+	M6	M6	M6		CuZn-Sn	1,5			1507975	130
	M666DX	-	M6	M6	M6		CuZn-Sn	1,5	1507916	1	1507915	130
2	M66DX	-	M6	M6		10÷20	CuZn-Sn	1,3	1507926	1	1507925	130
	M66DX	-	M6	M6		25÷40	CuZn-Sn	1,3	1507956	1	1507955	130
	M60DX	-	M6			10÷20	CuZn-Sn	1,3			1507946	100
	M66DX	-	M6	M6		AWG1	CuZn-Sn	1,3			1507957	200
3	VQR	-	M6	M6	M6		CuZn33-Sn	1,5			1507601	100



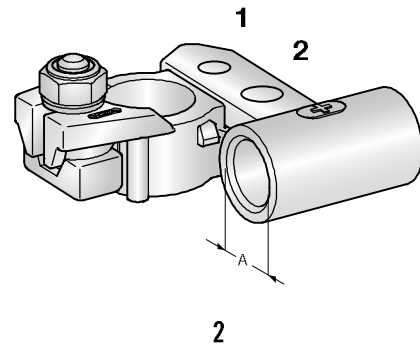
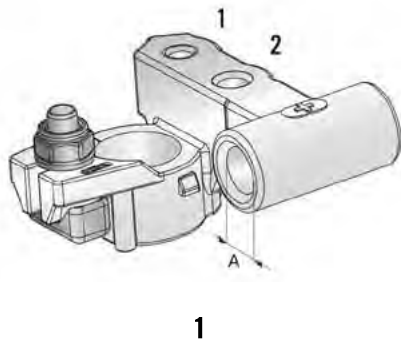
# STRIP TYPE



IMG	DESCRIPTION	POLARITY	SCREW(1)	WIRE SECTION mm <sup>2</sup>	MATERIAL	MATERIAL THICKNESS mm	P/N BOX	M.O.Q.	P/N BULK	M.O.Q.
1	STRIP DX	-		10÷20	CuZn-Sn	1,2	1506656	10	1506655	400
	STRIP DX	-		25÷40	CuZn-Sn	1,2	1506666	10	1506665	400
	STRIP SX	-		10÷20	CuZn-Sn	1,2			1506658	400
	STRIP SX	-		25÷40	CuZn-Sn	1,2			1506668	400
	STRIP DX	+		10÷20	CuZn-Sn	1,2	1506721	10	1506720	400
	STRIP DX	+		25÷40	CuZn-Sn	1,2	1506731	10	1506730	400
2	STRIP DX	-	M6	10÷20	CuZn-Sn	1,2			1506650	400
	STRIP DX	-	M6	25÷40	CuZn-Sn	1,2			1506660	400
3	STRIP DX	-	M8		CuZn-Sn	1,2			1506675	400
	STRIP SX	-	M8		CuZn-Sn	1,2			1506678	400

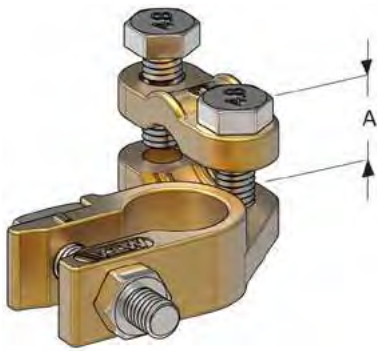


# DIE CAST

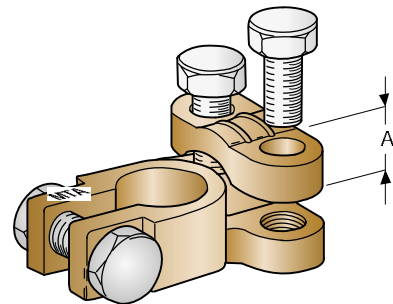


IMG	DESCRIPTION	POLARITY	SCREW 1	SCREW 2	MATERIAL	A mm <sup>2</sup>	P/N BOX	M.O.Q.	P/N BULK	M.O.Q.
1	DIE CAST	+	M6	M8	BRASS Sn	50			1506765	70
2	DIE CAST	+	M6	M8	BRASS Sn	70	1506741	1	1506740	150
	DIE CAST	-	M6	M8	BRASS Sn	50	1506761	1	1506760	150

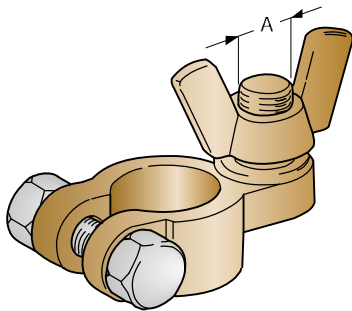
# DIE CAST



1



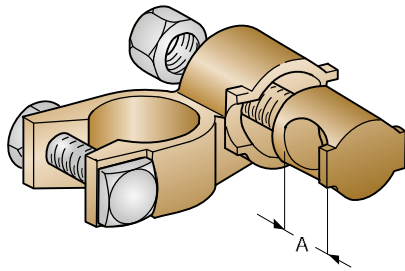
2



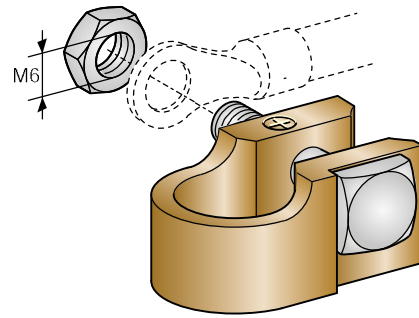
3

IMG	DESCRIPTION	POLARITY	MATERIAL	A mm <sup>2</sup>	P/N BOX	M.O.Q.
1	DIE CAST	+	BRASS	25÷50	1506100	25
	DIE CAST	-	BRASS	25÷50	1506110	25
2	DIE CAST	+	BRASS	25÷50	1506270	25
	DIE CAST	-	BRASS	25÷50	1506280	25
3	DIE CAST	+	BRASS	M10	1506120	25
	DIE CAST	-	BRASS	M8	1506130	25

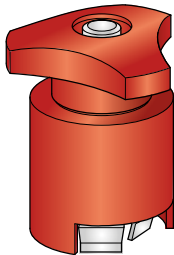
# DIE CAST & FRENCH TYPES



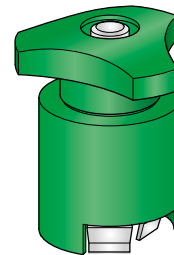
1



2



3

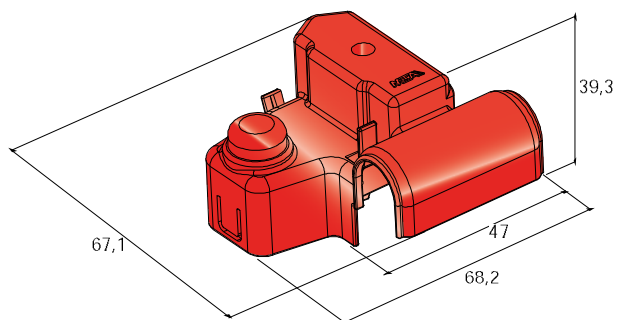


4

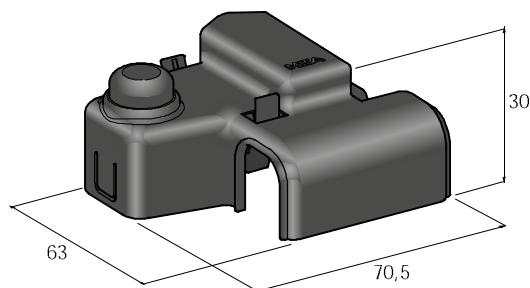
IMG	DESCRIPTION	POLARITY	WIRE SECTION mm <sup>2</sup>	MATERIAL	P/N BOX	M.O.Q.
1	BATTERY TERMINAL	+	25	BRASS	1506250	25
	BATTERY TERMINAL	-	25	BRASS	1506260	25
2	BATTERY TERMINAL	+/-	-	BRASS	1506820	1+1
3	BATTERY TERMINAL	+	-	PE - NYLON	1506200	25
4	BATTERY TERMINAL	-	-	PE - NYLON	1506210	25



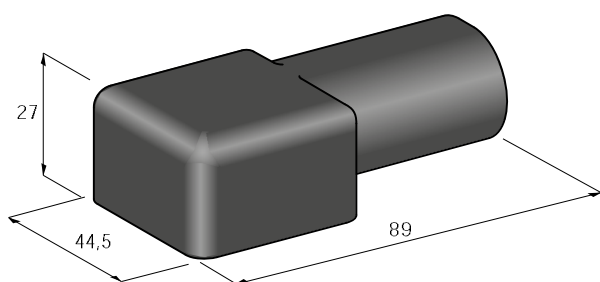
# PROTECTION COVERS



1

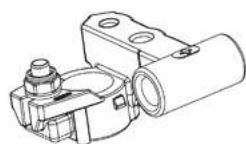


2

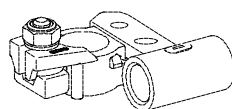


3

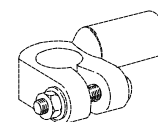
IMG	DESCRIPTION	POLARITY	MATERIAL	COLOUR	P/N BOX	M.O.Q.	P/N BULK	M.O.Q.
1	COVER FOR 1506765	+	PP	Red			4510499	500
2	COVER FOR 150674X	+	PP	Red			4510496	500
	COVER FOR 150676X	-	PP	Black			4510497	500
3	COVER		EPDM	Black	4410495	10		



1

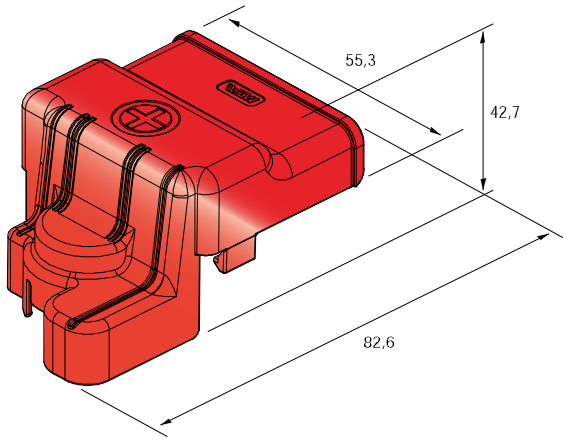


2

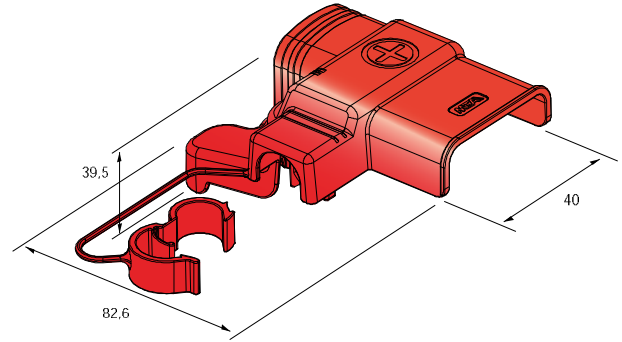


3

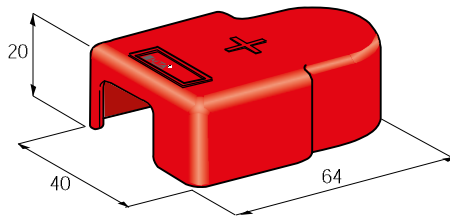
# PROTECTION COVERS



1

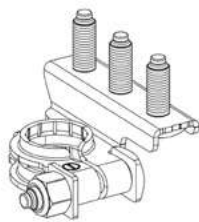


2

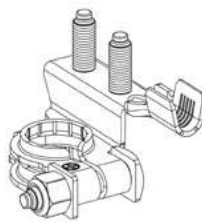


3

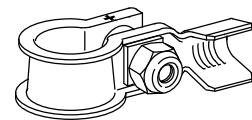
IMG	DESCRIPTION	POLARITY	MATERIAL	COLOUR	P/N BOX	M.O.Q.	P/N BULK	M.O.Q.
1	COVER FOR 15077XX	+	PP	Red			4510503	100
2	COVER FOR 15078XX	+	PP	Red			4510502	100
3	COVER FOR 1506720/21/30/31	+	PP	Red	4410480	10	4510480	500



1



2



3