

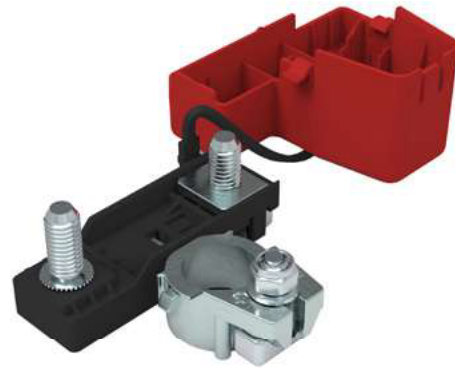


# POWER DISTRIBUTION UNITS

# BDU

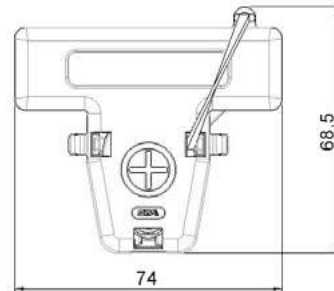
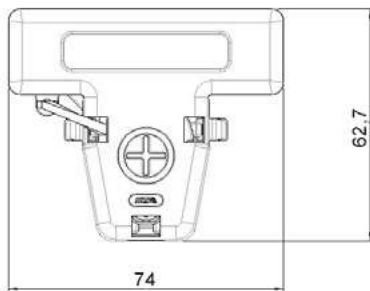
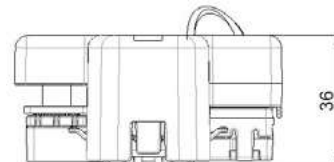
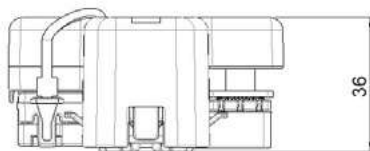


1

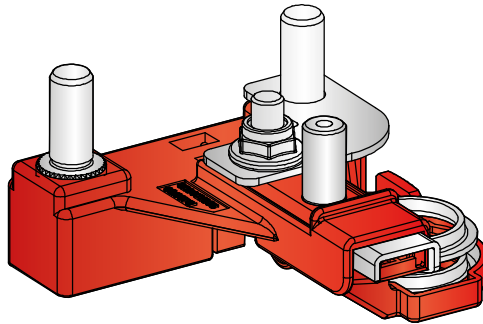


2

IMG	DESCRIPTION	P/N BOX	M.O.Q.
<b>NEW</b> 1	PRE-MOUNTED HOUSING FOR 1 POWER/MEGAVAL WITH DIE CASTED BATTERY TERMINAL RIGHT	0301229	36
<b>NEW</b> 2	PRE-MOUNTED HOUSING FOR 1 POWER/MEGAVAL WITH DIE CASTED BATTERY TERMINAL LEFT	0301230	36

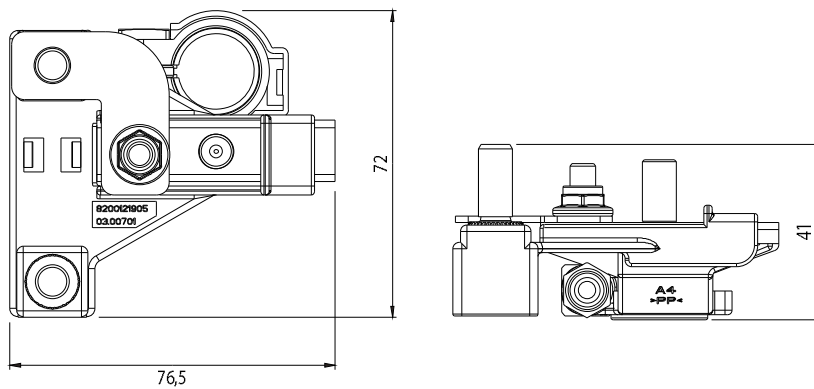


# CBA X73



1

IMG	DESCRIPTION	P/N	M.O.Q.
1	PRE-MOUNTED HOUSING FOR 1 POWER/MEGAVAL WITH BATTERY TERMINAL	0100703	1



**CONNECTIONS AND FIXINGS**



1608180  
1608190

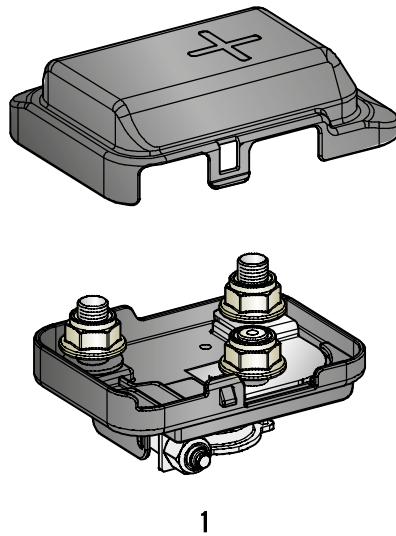


1708110  
1708120

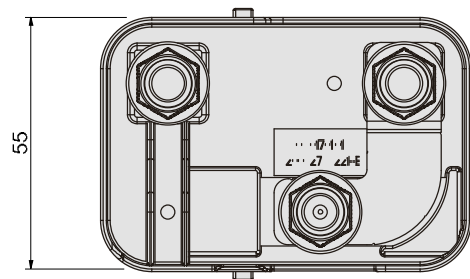
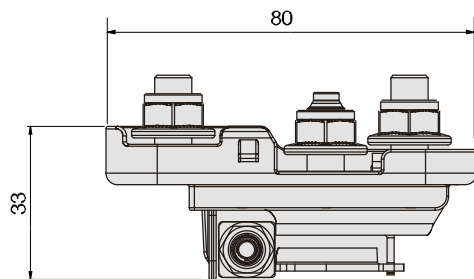


1608196

# CBA J81 L4



IMG	DESCRIPTION	P/N	M.O.Q.
1	PRE-MOUNTED HOUSING FOR 1 MEGA/POWERVAL WITH COVER AND BATTERY TERMINAL	0101703	1

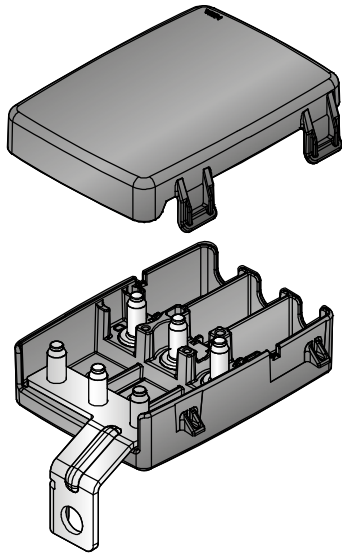


**CONNECTIONS AND FIXINGS**

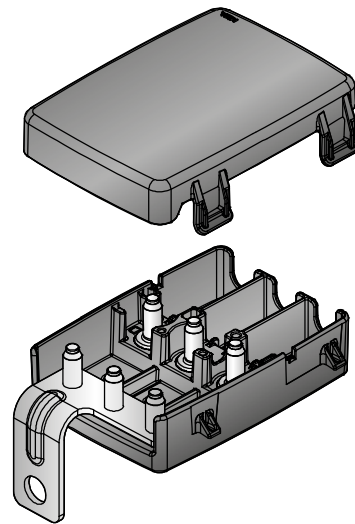


CBA J81 L4

# 3 - WAY MIDIVAL®

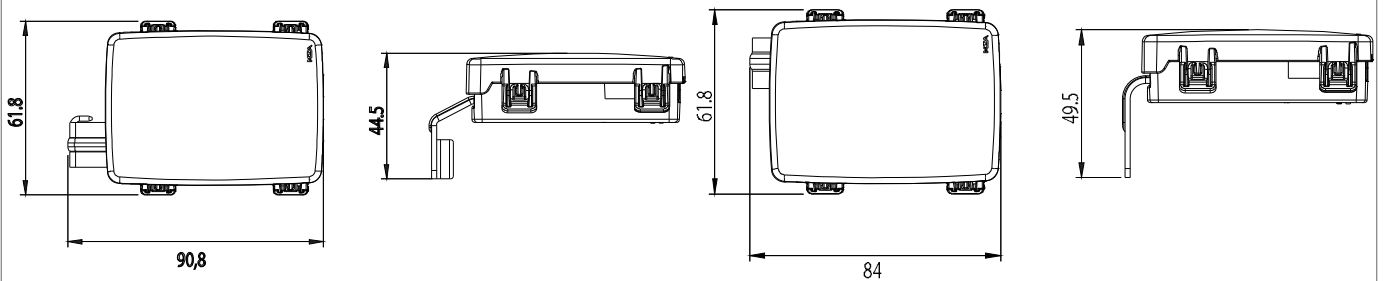


1

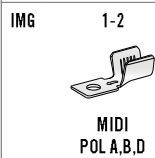


2

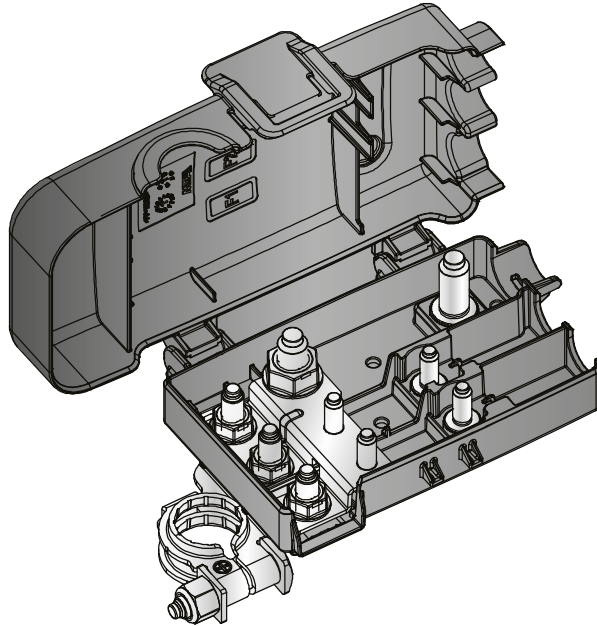
IMG	DESCRIPTION	P/N	M.O.Q.
1	PRE-MOUNTED HOUSING DX FOR 3 MIDIVAL WITH COVER AND BUS BAR	0300442	1
2	PRE-MOUNTED HOUSING SX FOR 3 MIDIVAL WITH COVER AND BUS BAR	0300468	1



**CONNECTIONS AND FIXINGS**

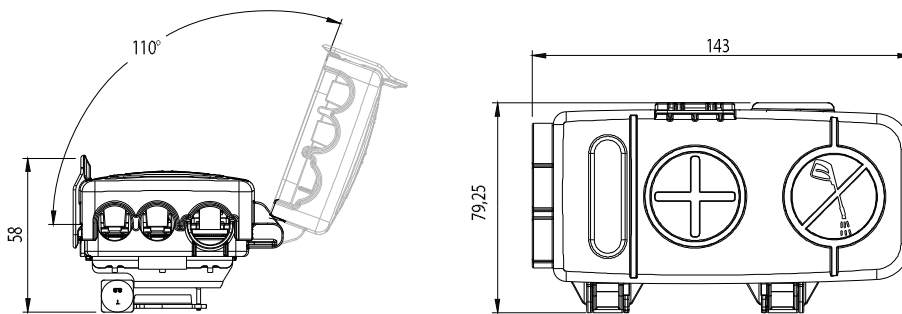


# CDB



1

IMG	DESCRIPTION	P/N	M.O.Q.
1	PRE-MOUNTED HOUSING FOR 2 MIDI AND 1 CAL/MEGAVAL WITH BATTERY TERMINAL	0300839	20



**CONNECTIONS AND FIXINGS**

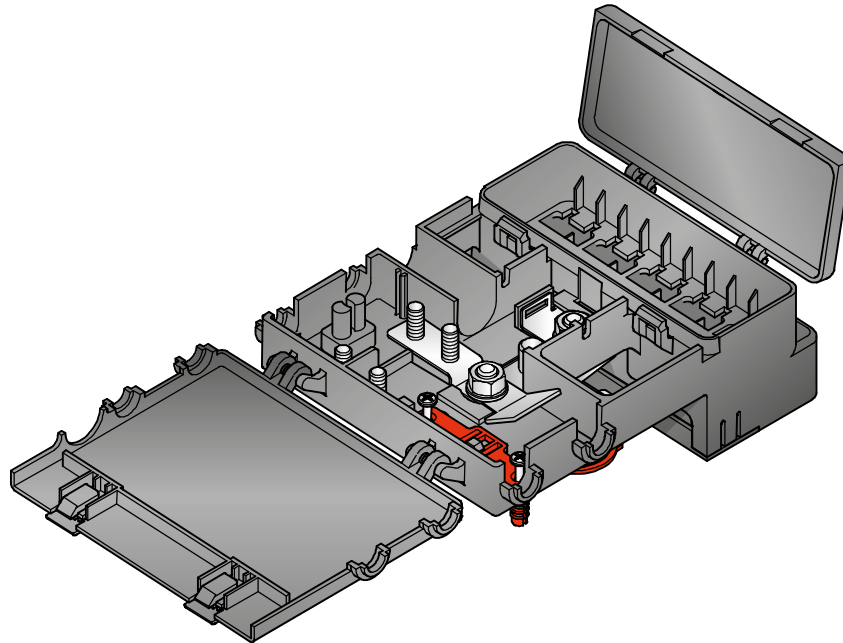


MIDI  
POL A,B



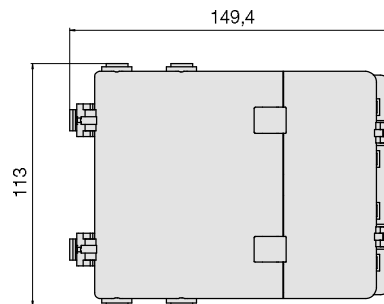
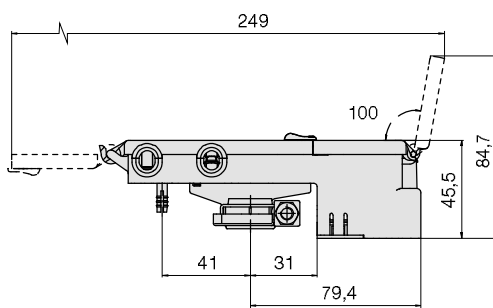
MEGA

# LINK BATT



1

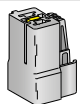
IMG	DESCRIPTION	P/N	M.O.Q.
1	PRE-MOUNTED HOUSING FOR 8 MAXIVAL AND 2 MIDIVAL	0100710	1



CONNECTIONS AND FIXINGS



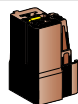
4540315



4540345



4540325



4540335



4545100

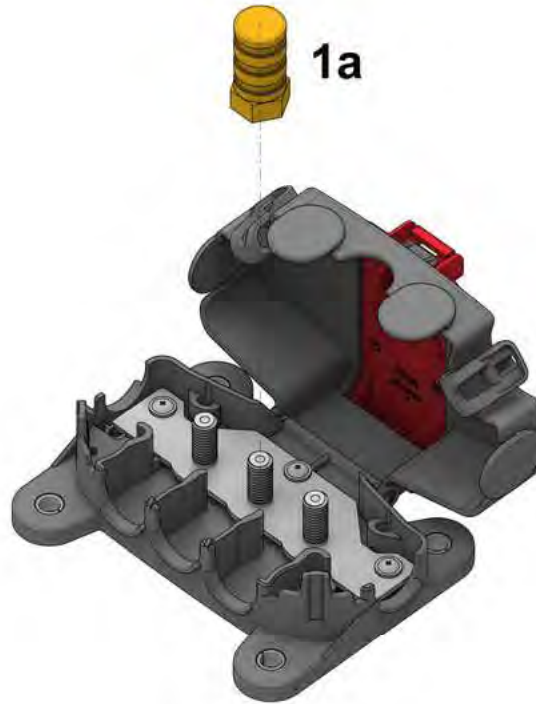


MIDI



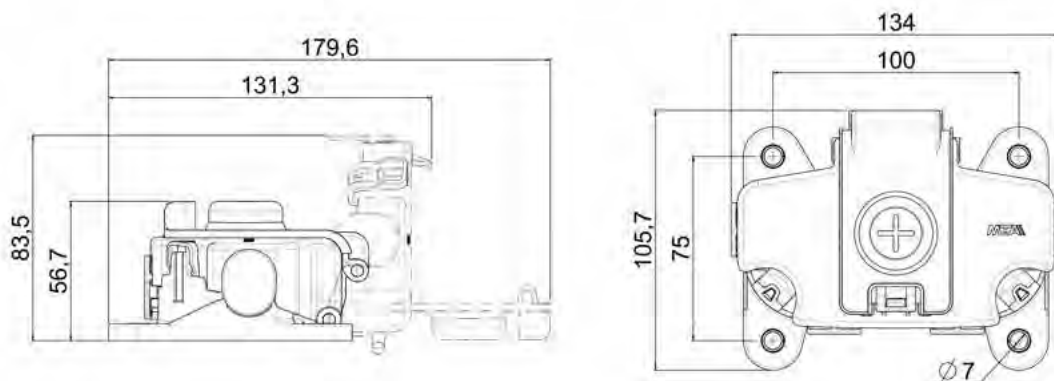
SQR-A

# JUMP START



1

IMG	DESCRIPTION	P/N BULK	M.O.Q.
1	JUMP START NODE	4541203	60
1a	JUMP START PLUG FOR POWER DISTRIBUTION	4541204	200



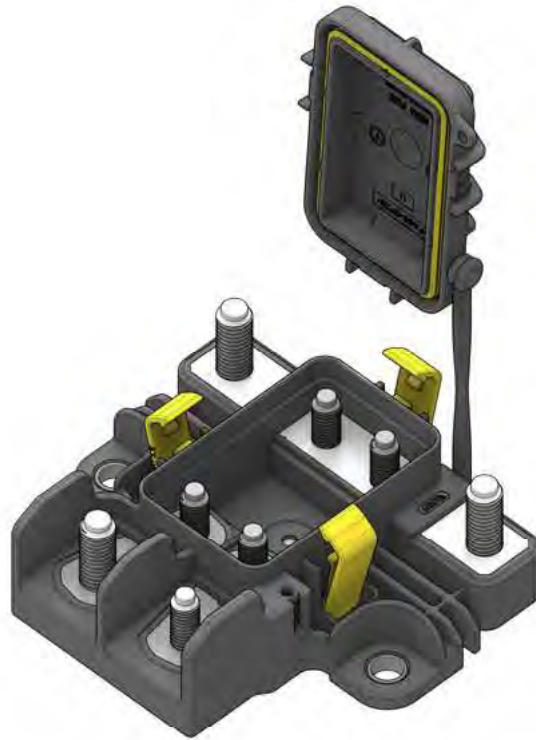
**CONNECTIONS AND FIXINGS**



TUBOLAR M8

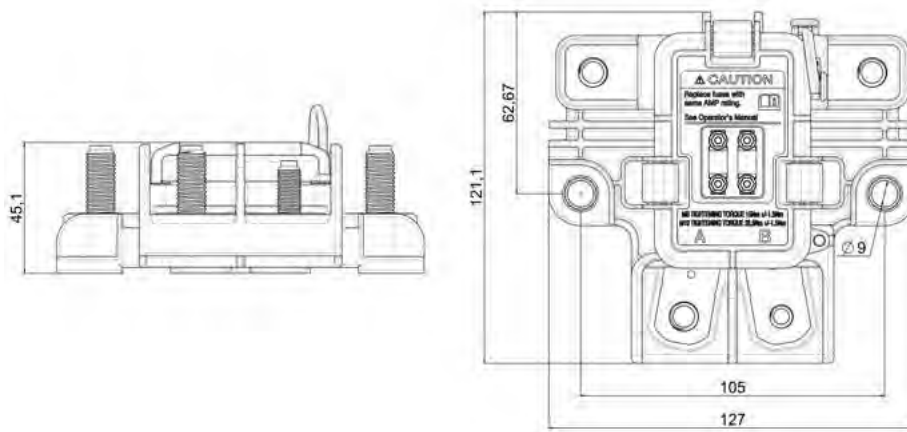


# PDU 2M



1

IMG	DESCRIPTION	P/N	M.O.Q.
1	PRE-MOUNTED HOUSING FOR 2 MEGAVAL WITH COVER	0301887	1

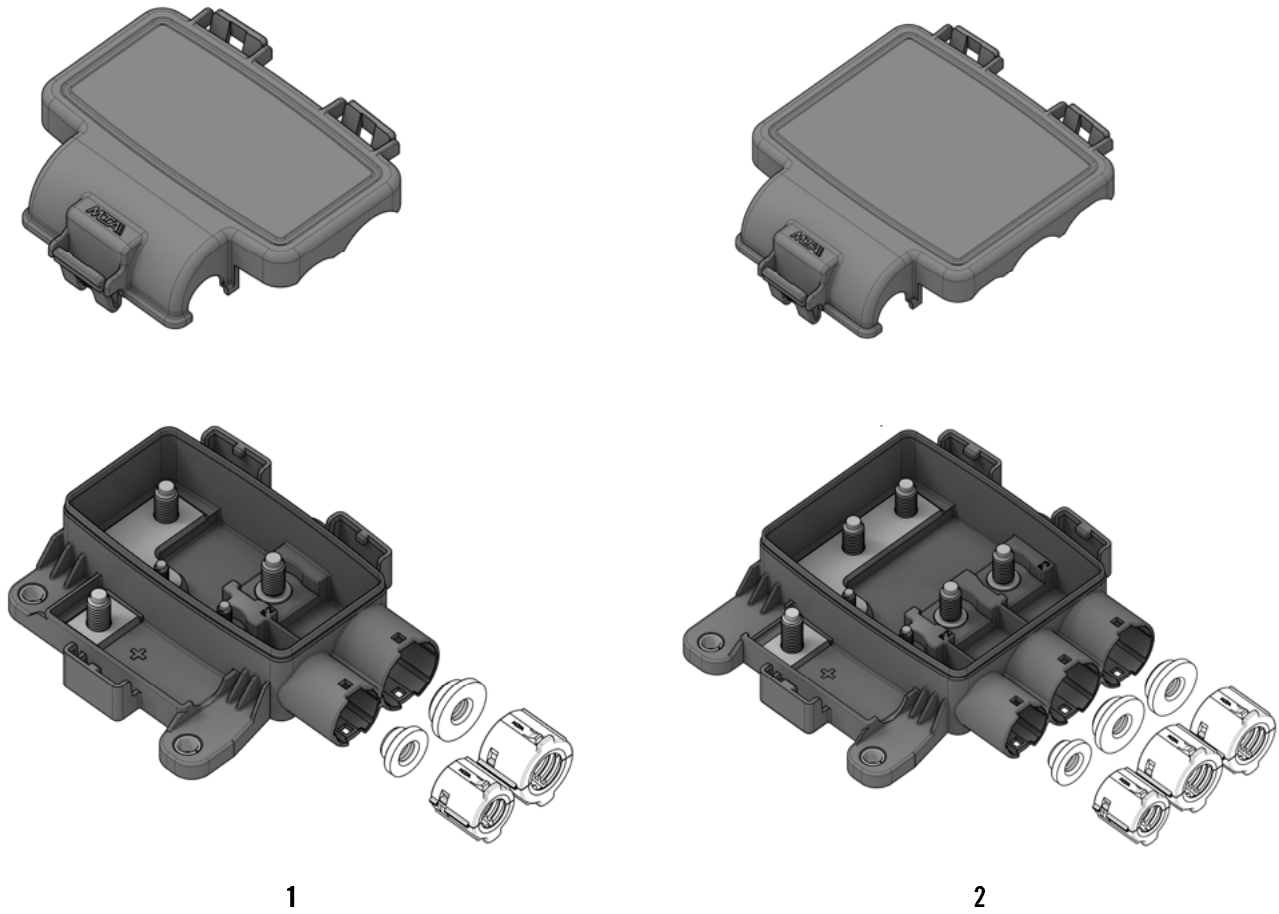


**CONNECTIONS AND FIXINGS**

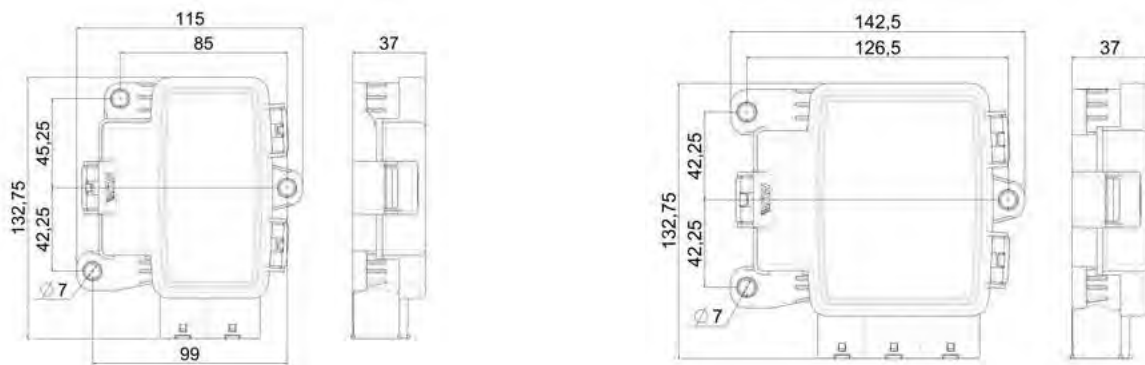


TUBOLAR

# 2 , 3 - WAY WATER PROOF PDU



IMG	DESCRIPTION	P/N BOX	M.O.Q.
1	PRE-MOUNTED HOUSING FOR 1 MIDIVAL AND 1 MEGAVAL WITH COVER	0301053	20
2	PRE-MOUNTED HOUSING FOR 1 MIDIVAL AND 2 MEGAVAL WITH COVER	0301045	20



**CONNECTIONS AND FIXINGS**

IMG	1+2	1+2	1+2	2	1+2	1+2	1+2
TUBULAR	MIDI M5 POLA	MEGA M8 POL A	MEGA M8 POL B	1607510	GASKET	TUBE RETAINER	

# RETAINER & GASKETS



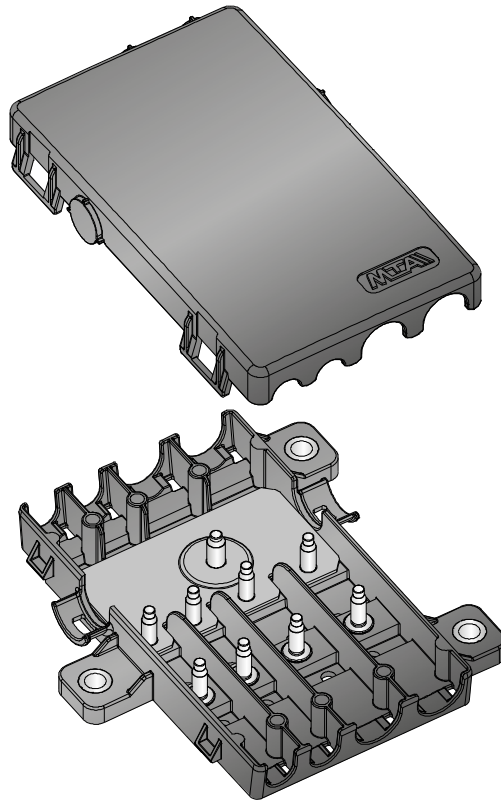
1



2

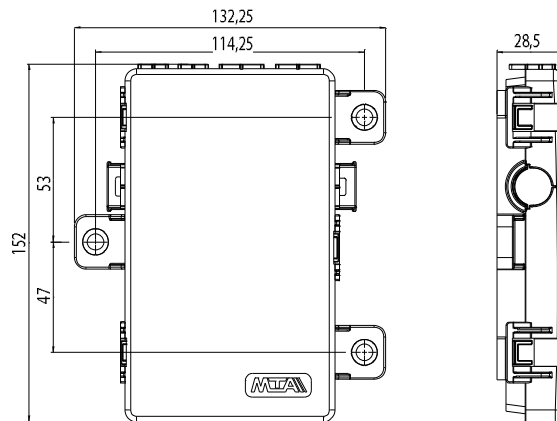
IMG	DESCRIPTION	MATERIAL	COLOUR	D	d	P/N BULK	M.O.Q.
1	TUBE RETAINER	PBT	Black	19,6	6	0300454	200
	TUBE RETAINER	PBT	Black	19,6	8	0300452	200
	TUBE RETAINER	PBT	Black	19,6	11,4	0300465	200
	TUBE RETAINER	PBT	Black	24,6	12,8	0300455	200
	TUBE RETAINER	PBT	Black	24,6	14,3	0300464	200
	TUBE RETAINER	PBT	Black	24,6	15,2	0300557	200
	TUBE RETAINER	PBT	Black	24,6	18,2	0301199	200
2	GASKET	SILICON	Green	18	2	0300456	200
	GASKET	SILICON	Blue	18	3,7	0300457	200
	GASKET	SILICON	Yellow	18	6	0300463	200
	GASKET	SILICON	Red	18	8	0300458	200
	CAVITY PLUG	SILICON	Natural	18	-	0350459	200
	GASKET	SILICON	Yellow	23	8	0300460	200
	GASKET	SILICON	Green	23	10	0350558	200
CAVITY PLUG	SILICON	Natural	23	-	0301204	200	

# 4 - WAY MIDIVAL®



1

IMG	DESCRIPTION	P/N BOX	M.O.Q.
1	PRE-MOUNTED HOUSING FOR 4 MIDIVAL WITH COVER, BUS BAR AND SELF LOCKING NUTS	0300552	1



**CONNECTIONS AND FIXINGS**

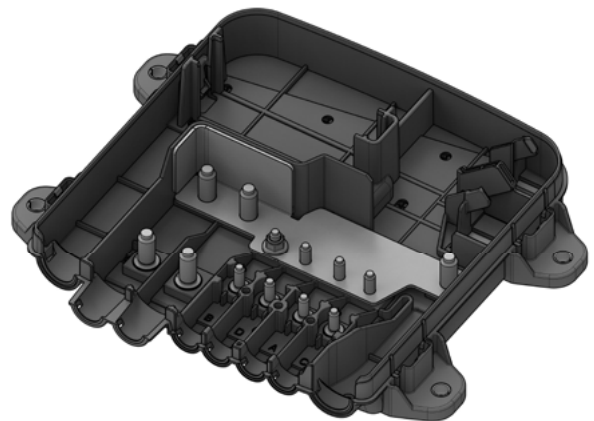
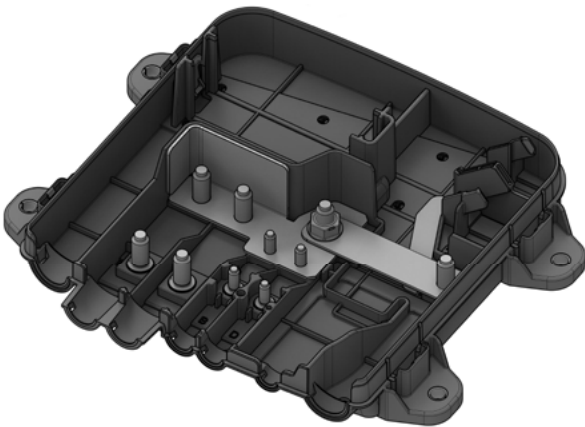
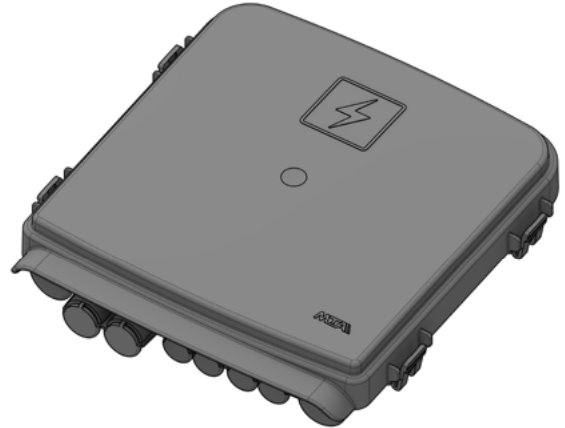
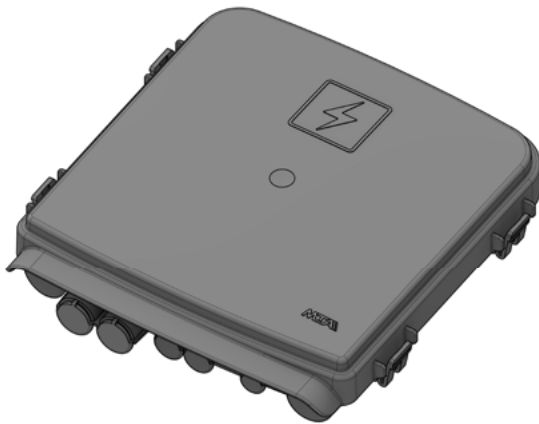


1708250



1708246

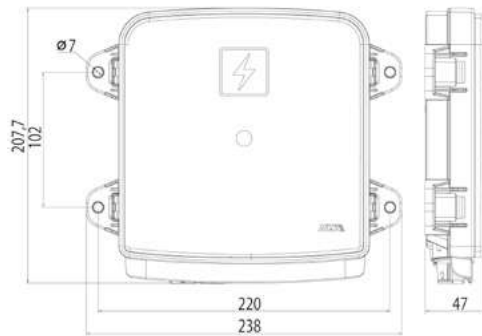
# SPLASH PROOF CONFIGURABLE PDU



1

2

IMG	DESCRIPTION	P/N	M.O.Q.
1	PRE-MOUNTED HOUSING FOR 2 MEGA/POWERVAL + 2 MIDIVAL W/ COVER AND BUS BAR. CAN ACCOMODATE ELECTRONIC BDS	0301865	1
2	PRE-MOUNTED HOUSING FOR 4 MIDIVAL + 2 MEGAVAL + 5 MINIVAL WITH COVER AND BUS BAR	0301873	1



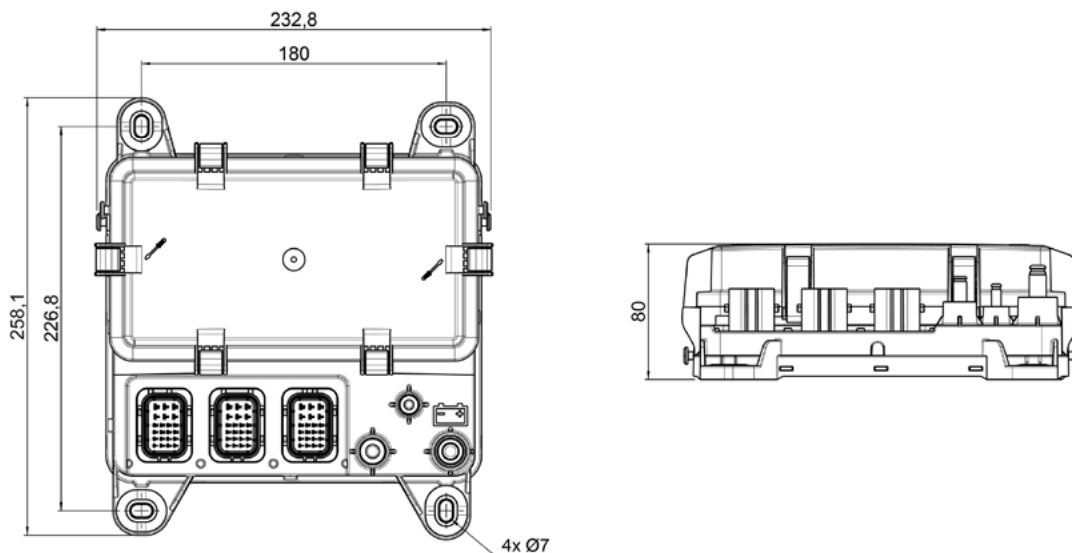
### CONNECTIONS AND FIXINGS

IMG	1+2	2	1+2	1+2	1+2	1+2
	MIDI POL A,B	MIDI POL A,B,C,D	TUBULAR M8	MODULES	SML	F280

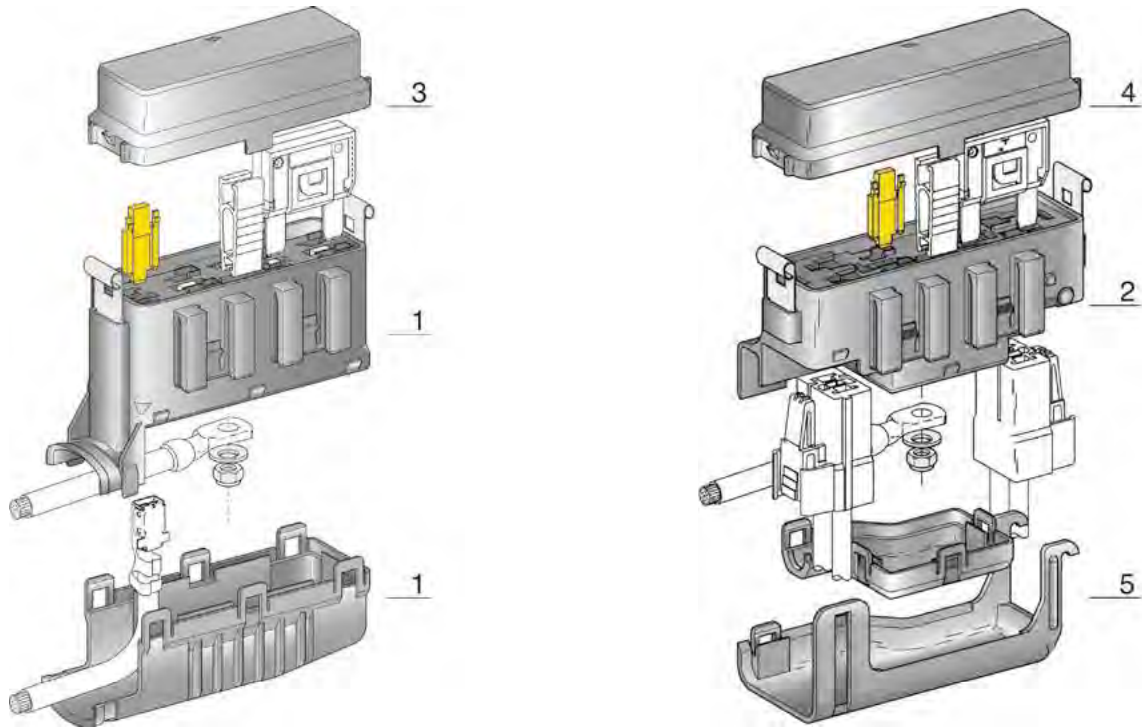
# MEC 97



IMG	DESCRIPTION	P/N	M.O.Q.
NEW 1	CONFIGURABLE POWER DISTRIBUTION UNIT WITH PRESS FIT TECHNOLOGY	0301163	1



# LINK BOX



IMG	DESCRIPTION	WAY	MATERIAL	COLOUR	P/N KIT WITH COVER AND TERMINALS	M.O.Q.	P/N BULK	M.O.Q.
1	HOUSING + BOTTOM COVER + S.LOCK + NUT	4	PA66 GF25 PA66	■ Black	0100500	5	0300500	200
2	HOUSING + BOTTOM COVER + S.LOCK + NUT	4	PA66 GF25 PA66	■ Black	0100800	5	0300800	150
3	COVER WITH GASKET		PA66 GF25	■ Black			0300950	200
4	UPPER COVER WITH GASKET		PA66 GF25	■ Black			0300850	150
5	WIRE'S COVER		PA66	■ Black			0300849	400



## CONNECTIONS AND FIXINGS

IMG	1+2	1	1+2	1+2	1+2	2	2	1+2
	0300949	0300690	0300691	F800	1605000	4540315	4540345	4545100